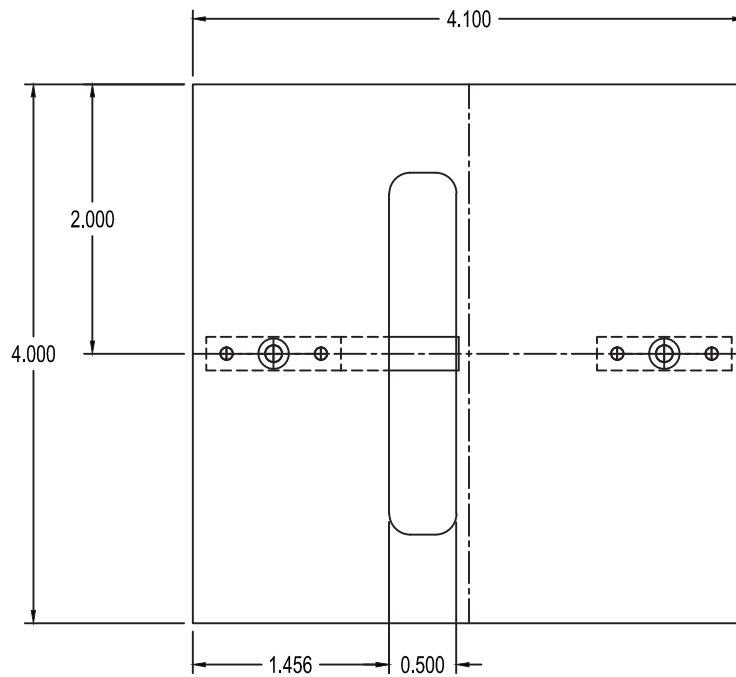
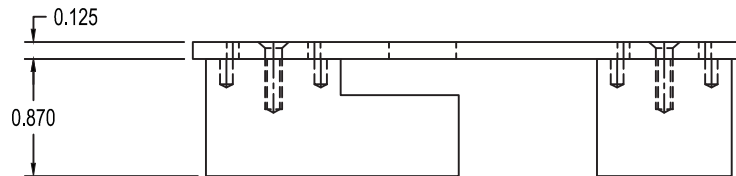
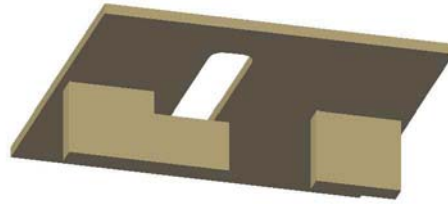


TJ-SR638

USED TO INSTALL
SR638 & SR301



Questions- Call before mortising 212-337-8510

BRUSSO ® <i>American Made</i> PRECISION HARDWARE	© 1983-2012 Brusso Hardware LLC 67-69 Greylock Avenue Belleville, NJ 07109 T 212-337-8510 F 212-337-9840	Product: TJ-SR638 ROUTING TEMPLATE		Revision:
		Component: TEMPLATE	Material: BRASS	File Name: TJ-SR638 TEMPLATE
Tolerances unless otherwise specified: Machined features fraction $\pm 1/64$ Decimal .xxx $\pm .005$, Angular ± 1 Degree, Hole Diameter $+.003/-0.02$		Catalog No: TJ-SR638	Drawn By: KA	Checked By:
		Scale: NONE	Date: 12/14/13	Date:
				Sheet: 1 of 3